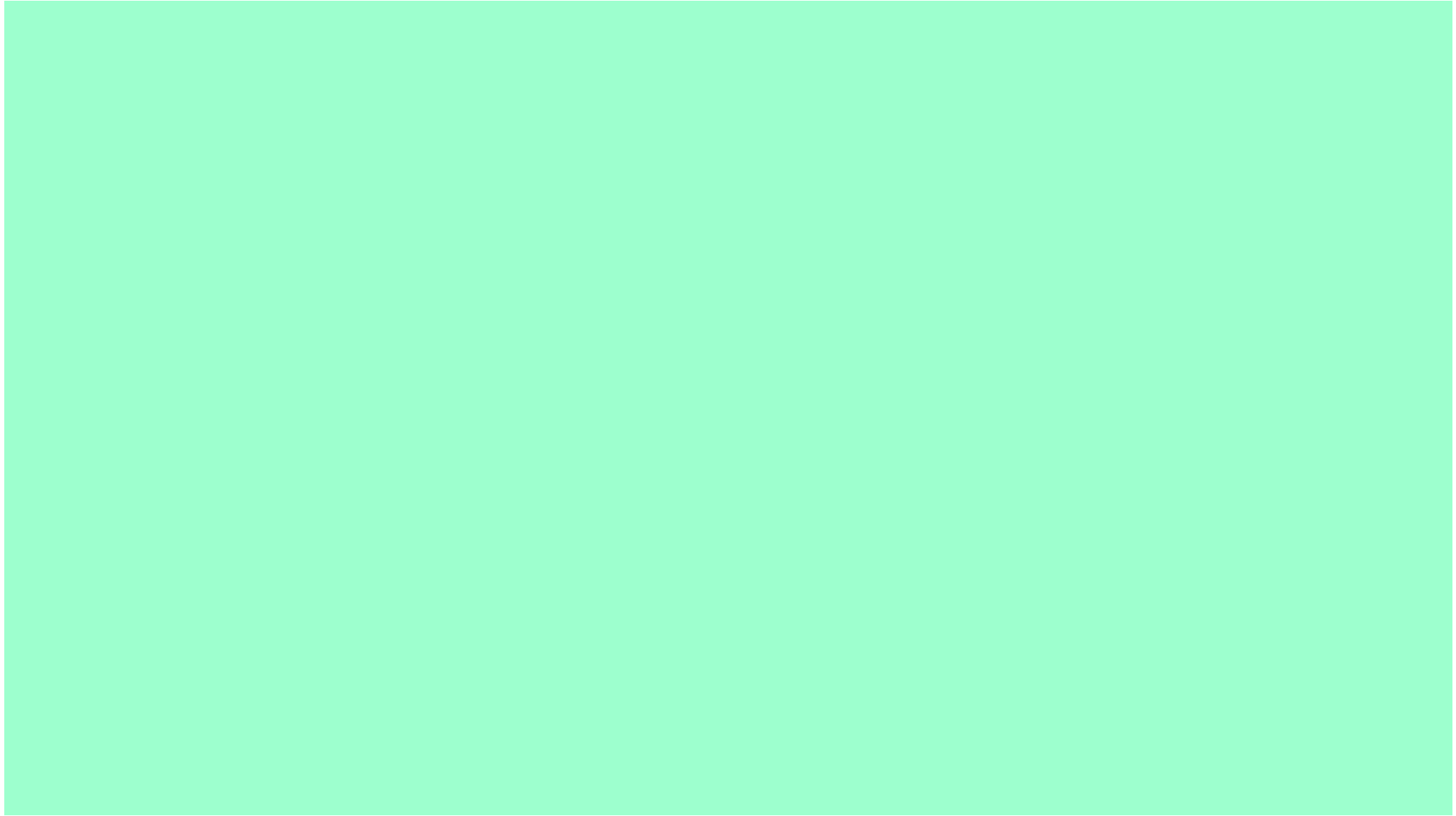





Pressure

Instruments of Torture

By a Park ranger, Jonathan Staysea, and Jeffers Erbane



pressure noun

 Save Word

pres·sure | \ 'pre-shər  \

Definition of *pressure* (Entry 1 of 2)

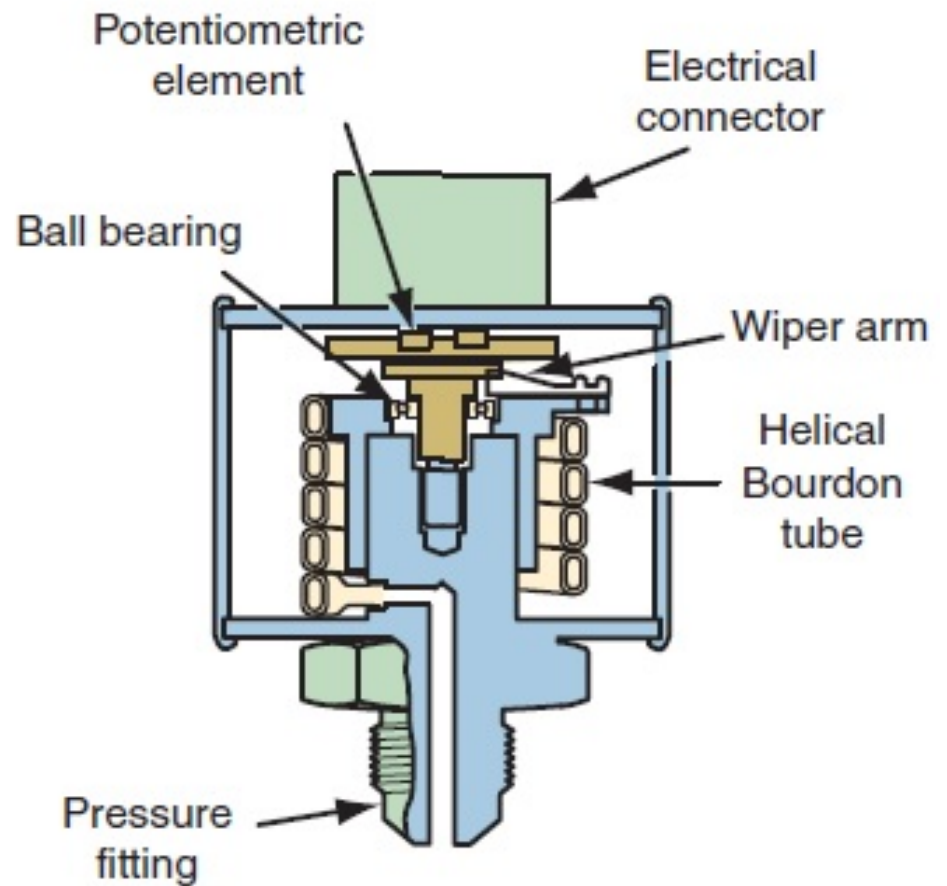


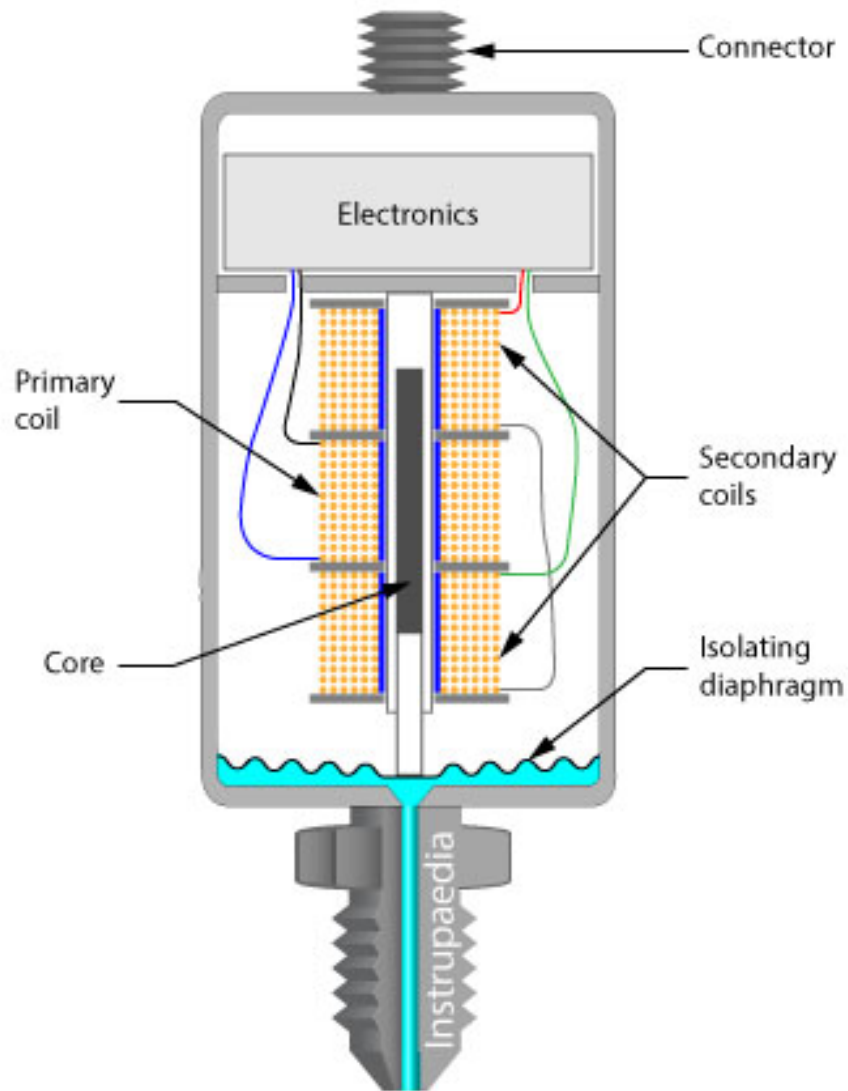
Not long time ago in a classroom just down the
hall....

Types



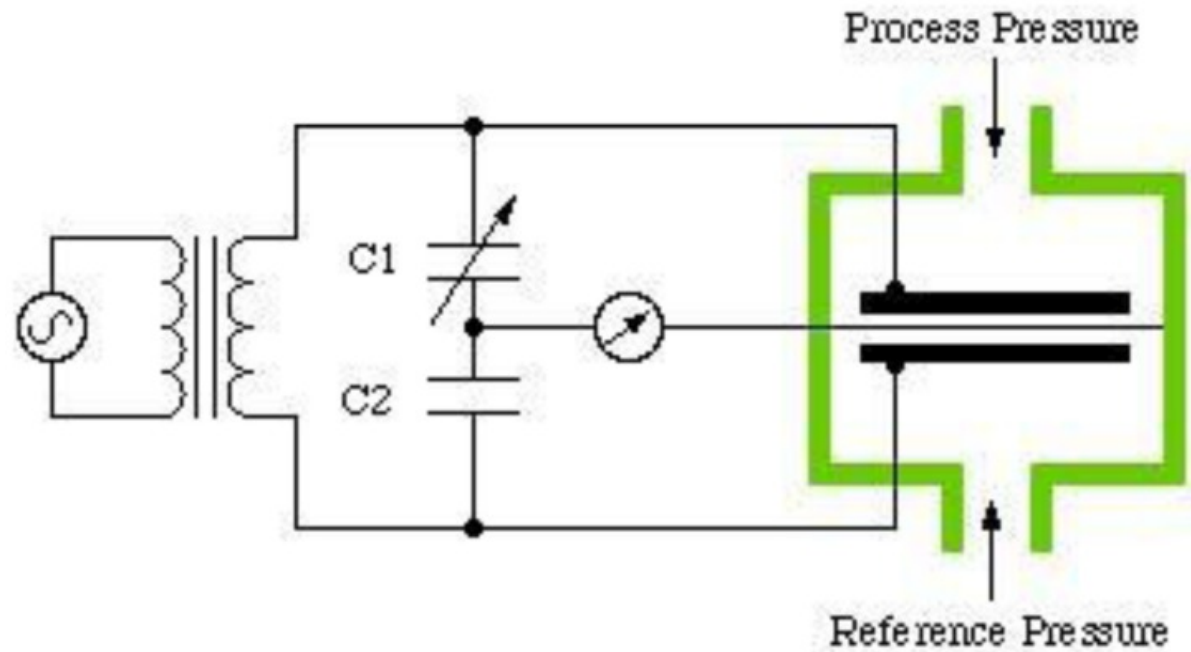
||| Potentiometric – bellows (or Bourdon tube) driving a wiper arm connected to the electronics



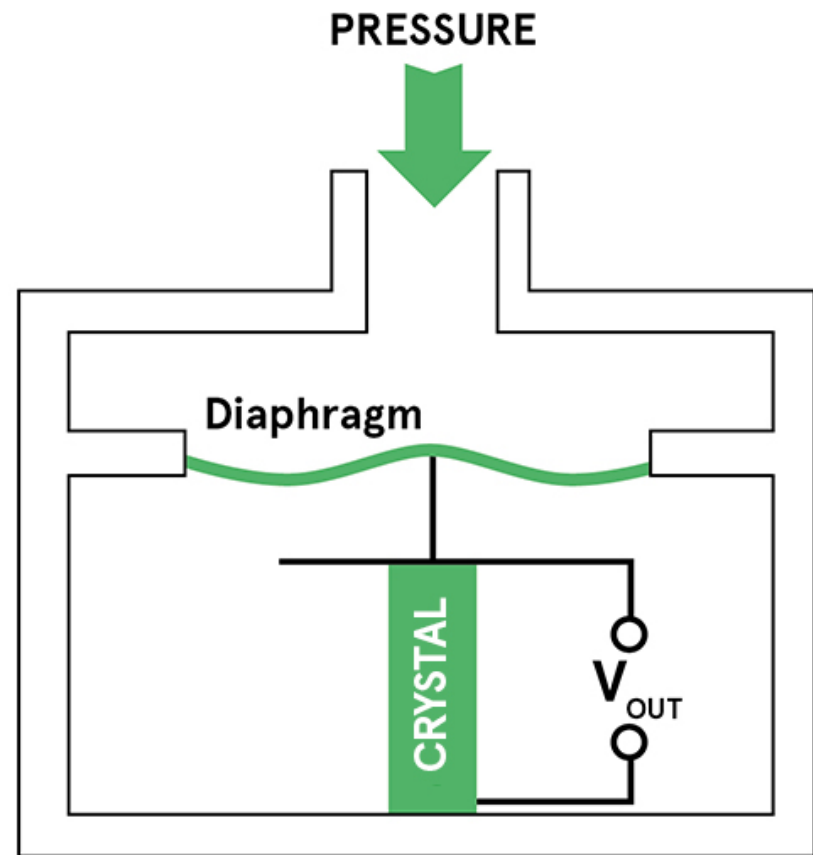


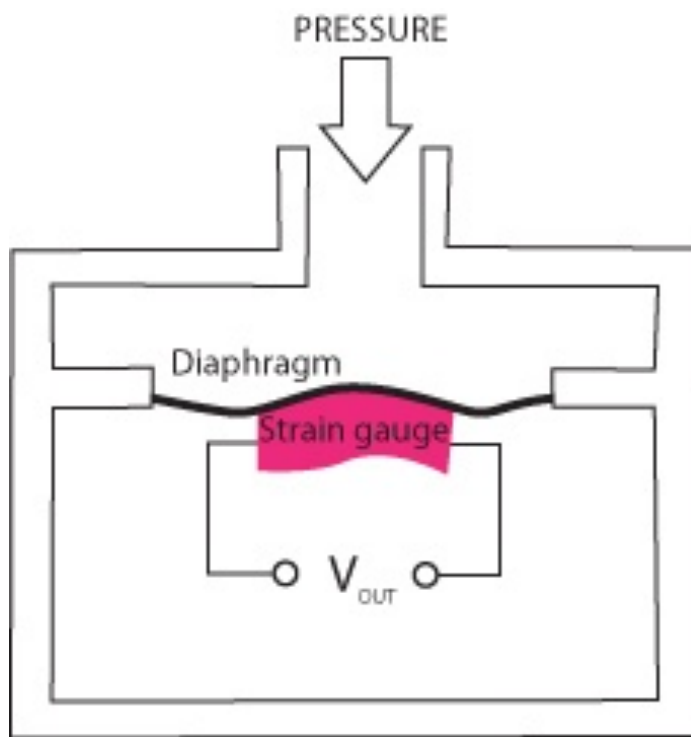
Inductive – a post moved by pressure changes induces a current between coils in a transducer

Capacitive –
a diaphragm
deflects and
changes
capacitance



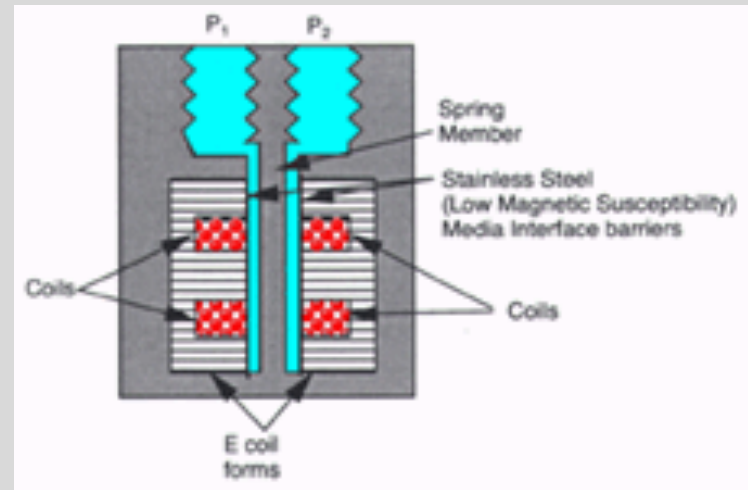
Piezoelectric – materials with special properties generate electric potential under mechanical stress





Strain gauge – uses strain gauges to measure membrane deflection via piezoresistance

Variable reluctance –
change in diaphragm
deflection causes
magnetic reluctance in
circuit







[This Photo](#) by Unknown Author is licensed under [CC BY-NC-ND](#)

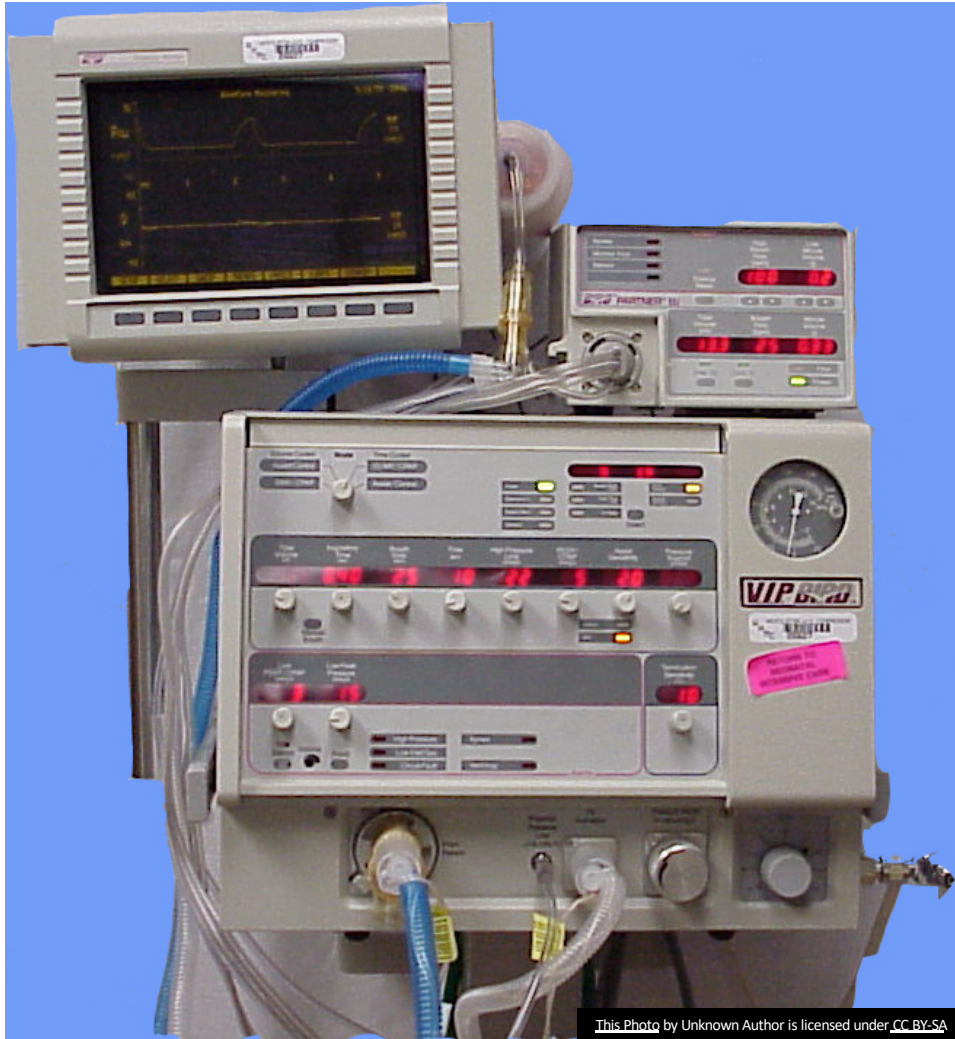
Aerospace



strages-world.blogspot.com



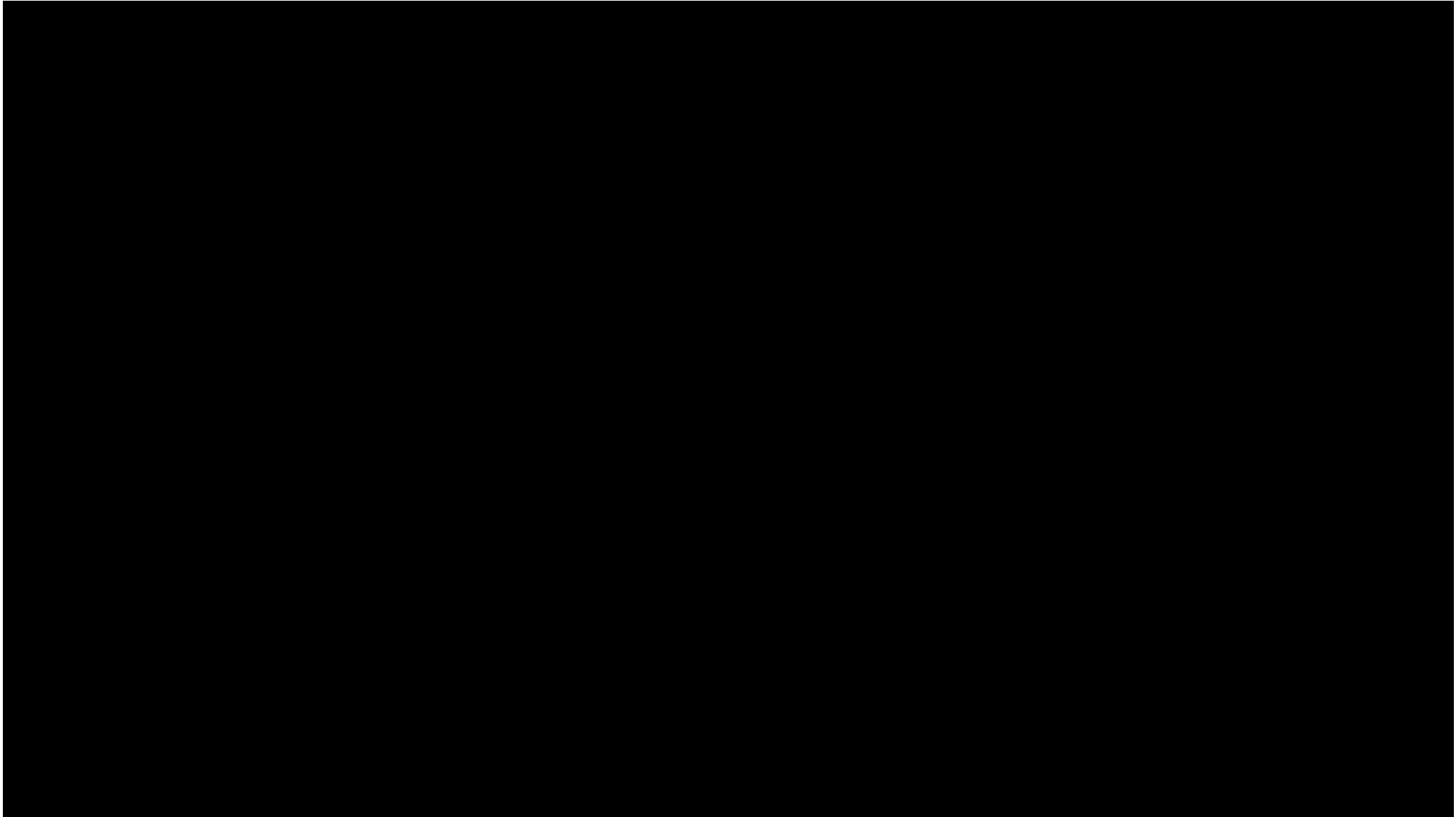
Medical Industry





Marine Work





References

Omega. n.d. *Theory of Operation of Pressure Sensors*. Accessed 3 1, 2020. <https://www.omega.co.uk/technical-learning/sensor-theory-of-operation.html>.

Variohm. 2016. *Working Principle of a Pressure Sensor*. March 18. Accessed 3 1, 2020. <https://www.variohm.com/news-media/technical-blog-archive/working-principle-of-a-pressure-sensor>.

